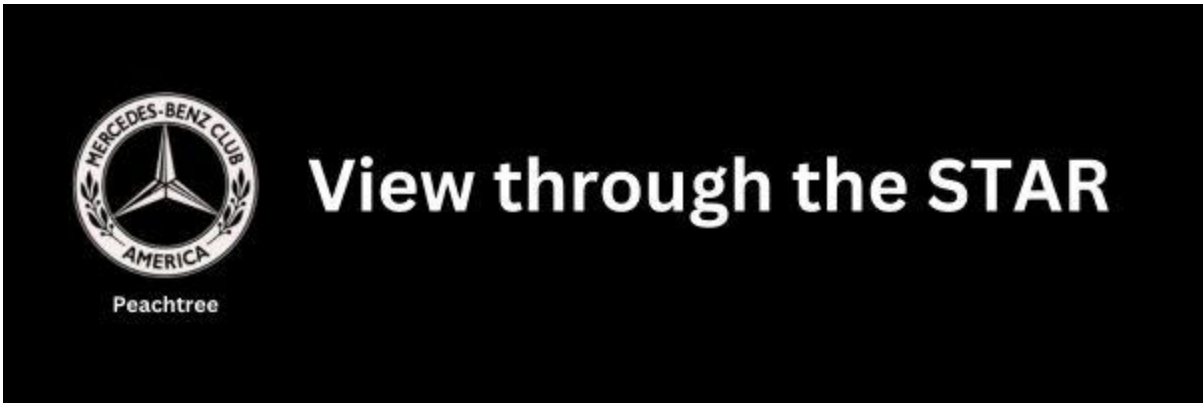




Volume 48 - Vol 3 | June 2026





View Through The Star

by **Rusty Duncan, President**

A New Starting Point

Unlike a mountain drive, we cannot always predict the twists and turns of life. Sometimes the road changes direction before we expected it to, and sometimes that change brings both excitement and a little sadness.

That is where I find myself now. Circumstances in our personal life have created a wonderful opportunity for my wife, who has accepted a new position in Charlotte as Assistant Head of School for Institutional Advancement at Providence Day School. It is a terrific promotion and a meaningful opportunity for her to work with a strong and experienced leadership team at one of the top private schools on the East Coast.

As a result, we are moving. Soon. Thankfully, Charlotte is only about a four-hour drive from Atlanta. I will continue to serve my clients in the Atlanta area and plan to be back in town a couple of times each month. But this change does mean that my role with the Peachtree Chapter will also be changing.

I will continue serving as Chapter President through October. At that time, I will step down as President. We are very fortunate to have a strong board in place, including our current Vice President, Marisa Hegyesi, who will step up to become President. I have great confidence in Marisa and in the rest of our board, and I know the chapter will be in very good hands.

I also want to be clear about one thing: I am not leaving the Peachtree Chapter. [Read More](#)



Member Spotlight RaShaun Bosley



by Marisa Hegyesi

RaShaun Bosley

RaShaun is originally from the Palm Coast of Florida. He is 33 years old and single. RaShaun has a bachelor's degree in public relations. His open and friendly personality blends well with that degree.

In his free time, RaShaun enjoys watching new movies. Funny movies are what makes him laugh. He described himself as “keeping it tight and organized.” My kind of person! His favorite food is Filet Mignon. Rashaun's favorite book is Sherlock Holmes. His favorite TV show – Blacklist (great series). The music he enjoys is *House*. He loves both cats and dogs. His favorite place is Santa Monica Beach. Being from Florida, which is about as flat as a pancake, RaShaun “loves the scenery of the mountains behind the ocean.”

RaShaun presently owns a 2015 C250. If he could have any model/year Mercedes, he responded “Any AMG!”. [Read More](#)



Peachtree

Event Rundown

June and July

- 6/6 | Barber Museum Tour & Drive | [register](#) | [map](#)
- 6/7 | U.S Space & Rocket Museum & Dinner | [register](#) | [map](#)
- 6/8 | Performance Driving at TGPR | [register](#) | [map](#)
- 6/6 | STARS and Coffee | [register](#) | [map](#)
- 6/20-21 | PCA HPDE at Barber | [register](#) | [map](#)
- 6/28 | GAS ATL Meetup Noon-3pm | [map](#)

- 7/4 | MBCA 4th of July Parade | [Enter Here](#) | [map](#)
- 7/11 | BBQ Progressive Rally-Duex | [register](#) | [map](#)
- 7/15 | MBCA Peachtree Board Meeting | [Contact President](#)
- 7/25 | Members' Appreciation Lunch | [register](#) | [map](#)
- 7/28 | GAS ATL Meetup Noon-3pm | [map](#)

August and September

- 8/1 | STARS and Coffee | [register](#) | [map](#)
- 8/8 | Mountain Drive | *watch for details*
- 8/18 | Tech Session - 722.6 Transmission | [register](#) | ZOOM
- 8/23 | GAS ATL Meetup Noon-3pm | [map](#)
- 9/6 | STARS and Coffee | [register](#) | [map](#)
- 9/12 | MBCA Driving Academy | [register](#) | [map](#)
- 9/16 | Concours Judging School | *watch for details*
- 9/19 | Mountain Drive | *watch for details*
- 9/27 | GAS ATL Meetup Noon-3pm | [map](#)

October, November, and December

- 10/4 | Peachtree Concours | *watch for details* | [map](#)
- 10/10 | MBCA Peachtree Board Meeting | [Contact President](#)
- 10/24 | Deutsche Car Show | *watch for details*
- 10/25 | GAS ATL Meetup Noon-3pm | [map](#)
- 11/1 | STARS and Coffee | *watch for details* | [map](#)
- 11/28 | Holiday Lights Drive | *watch for details*

**MERCEDES-BENZ
SPECIALIST**
TRAINED AND EXPERIENCED MECHANICS

10% OFF
FOR CLUB MEMBERS ONLY

- ✓ A & B services
- ✓ Check engine light
- ✓ Programming
- ✓ Electrical Diagnosis

CONTACT US FOR MORE INFO:
770.475.1090

IMPORTAUTOREPAIRS.COM

6735 ATLANTA HWY ALPHARETTA, GA 30004

**MERCEDES-BENZ CLUB
AMERICA**
Peachtree

Membership

Welcome NEW Members!

- Ebony Canty
- William Haney
- Natasha Hunerlach
- Alex Idichandy
- Evan Jones
- Hunter Kirkman
- Sedem Kuts
- Mary Upshaw

THANK YOU Renewing Members!

- Gary Albin
- David Benyo

by Reijo Haarla, Membership Director

It is June already. Peachtree Chapter has again scheduled interesting summer events for members to participate in.

STARS and Coffee June 6th and August 1st. Weekend events in Alabama June 6th – June 8th. 4th of July Parade in Dahlonga. Members Appreciation Lunch, July 25th, and many others.

Please check the event calendar in this Newsletter and register to attend for an upcoming event. Attending club events is the best way to meet members that share your interest in Mercedes-Benz vehicles.

- Robert Bingham Roy
- Leonard Blackley
- Brett Butler
- Priscilla Cherry
- David Cohen
- Norman Cohen
- James Duncan
- Daniel Gallagher
- Mark Grant
- Gary Edwards
- Paul Harman
- Leland Harwood
- Michael Latino
- Joseph Long
- Ray Mokhberi
- Erik Moore
- Robert Niebergall
- Paige Rumsey
- Alan Sinram
- Susan Sinram
- Stephen Schwab
- Don Smith
- Christy Spooner
- Thomas Statham
- Kevin J. Taylor
- Kathy Tuton
- Josi Waldschuetz
- Allen Warner
- Bob Weber
- Joe Wilk

As of the end of April 2026, Peachtree Chapter has 266 members. Membership numbers are nicely trending upwards during the current year.

Membership Renewal is Easy!

When it is time to renew your membership, you have several convenient options:

- Logging into the MBCA website at mbca.org and renewing from your membership profile.
- Renew from the renewal reminder email from MBCA.
- Call the MBCA National Business Office at 719.633.6427, Monday through Friday 9 am to 5 pm MST
- Mail a check to: MBCA National Business Office, 3472 Research Pkwy Ste 104 PMB 464, Colorado Springs, CO 80920



Peachtree

Technical Digest

Mercedes 722.6 Transmission Conductor Plate Replacement

by Gary Edwards, Technical Advisor



I recently wrote about transmission limp mode in a 1997 Mercedes S500 Coupe (C140). I had first changed the connector sleeve, then the transmission control module.

The car kept returning to transmission limp mode. It was time to replace the conductor plate. This isn't unusual for one of these transmissions and some consider conductor plate replacement to be a routine maintenance item. I think that 722.6 transmissions are often replaced when all that's required is a new conductor plate.

In my case, the other hints were the fault codes. I had consistent 013 and 109, both of which call out the transmission RPM Sensor N3 signal defective. The N3 RPM sensor is on the conductor plate. So, conductor plate replacement was clearly the next thing to do.

There are plenty of threads on the forums covering how to replace the conductor plate, so I'm not going to provide a detailed procedure, I'll just cover my observations on what I learned. As with all transmission work, cleanliness is vital; the hydraulics in the transmission are totally intolerant of any dirt, contaminants or particulates.

[Read More](#)

Sponsor Spotlight
DC MotorWerks



Two Mercedes-Benz enthusiasts and technicians, **Cameron Davis** and **Andy Sumner**, created the “**Enthusiasts' Auto Shop**” where they service your car at a quality and level of attention few other shops can or will provide. They aim to say “Yes” to any job or obstacle. In conjunction with using OE supplier or better parts, they excel in the industry.

DC MotorWerks has been in business for six years and just celebrated their fourth anniversary at their current location. About 86% of DC MotorWerks' service is on Mercedes. They also service Lamborghinis (8%) and Ferraris (6%). They also have pre-owned models for sale.

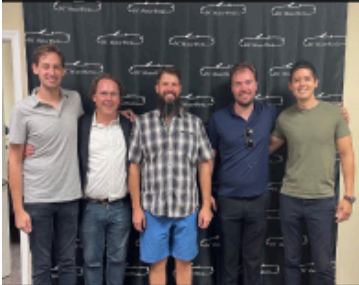
In their spare time, they participate in Monterey Car Week, the Cannonball Run and the Amelia Concours d'Elegance.

Cruise in and check out DC MotorWerks. Loaner cars are available upon request. Off hour pickup/drop offs can be arranged. Snacks and refreshments are always available. [View More](#)





The Enthusiasts' Service Center



640 James Road
Alpharetta, GA 30004
678-631-9028
Admin@DCMotorWerks.com



Dealer trained. Over 35 years of experience. No flat rate. Enthusiasts first.
We are the difference in providing the best service to you and your vehicle.



Welcome Club Members! We are offering complimentary inspections with 10% off of your first visit and 10% off all subsequent visits.





Events

Birmingham, Alabama June 6 - 8, 2026

Gary Edwards, Event Planner

We have a fun weekend planned for June 6 through 8, culminating in an MBCA Performance Driving.

- On **Saturday, June 6th** we will have a guided tour of the **Barber Vintage Motorsports Museum** followed by a Mountain Drive to Cheaha State Park.
- On **Sunday, June 7th** we will drive up to Huntsville to visit the **U.S. Space and Rocket Center**. We'll have an early dinner in the Oxford area on Sunday evening, location TBD.
- On **Monday, June 8th**, we will have a great full day of High Performance Driver Education (HPDE) . Talladega Gran Prix Racetrack (TGPR) is a fun track, easy enough to learn for a novice, but subtle enough to challenge the experienced drive. The price is only \$250.

If you need a hotel room, contact the **Hampton Inn & Suites Oxford/Anniston** 210 Colonial Dr Oxford, AL 36203, (256) 831-8958.

We'd love to have you join us for all the weekend's events. Register for one or all three of these fun events below. **There are still plenty of spots still available.**

Barber Vintage
Museum
and Drive
Saturday June 6

U.S. Space and
Rocket Center,
Huntsville
Sunday June 7

HPDE Performance
Driving
Talladega Gran Prix
Monday June 8



Barber Museum



**Space and
Rocket Center**



HPDE Driving



The Mercedes-Benz Experience at HALCYON-FORSYTH

Conveniently located at McFarland Parkway and GA 400.



Mercedes-Benz
Experience
by RBM of Alpharetta

All in-store merchandise

10% off

Excludes vehicles. Must show
this ad to redeem offer.

Expires 12/31/2025

6345 Halcyon Way, Suite 835 | Alpharetta, GA 30005 | 678-726-6726

**DAHLONEGA
4th of July Parade**



MBCA Peachtree is gearing up for a fun and festive new adventure—join us as we participate in the Dahlonega 4th of July Parade in historic downtown Dahlonega! This is a wonderful opportunity to showcase our beautiful Mercedes-Benz vehicles while celebrating Independence Day with a vibrant community tradition.

Event Details:

- Date: Saturday, July 4, 2026
- Lineup: Begins at 9:00 a.m.
- Parade Start: 11:00 a.m.
- Location: Downtown Dahlonega
- Entry Fee: \$30 per vehicle
- Category: Automobile (**MBCA Peachtree** – must be listed to stay grouped together)

Each participant will submit an entry including vehicle details (year, model, color, and anything special). The official entry deadline **June 19 2026**, and late applications will not be accepted—so don't wait!

To participate, complete and return the [entry form](#) with payment,

Let's make this a memorable debut for MBCA Peachtree—shine up your star and join the parade!

Dahlonega 4th of July Parade Application

BBQ Progressive Rally-Duex July 11



Ernie Smallman, Event Planner

The rally will take us on a journey to the following famous BBQ joints:

- **JDs BBQ**, Acworth, GA
- **Williamson Brothers BBQ**, Canton GA
- **Big Easy BBQ**, Canton GA
- **Rally Point Grille**, Woodstock GA

Each stop along the way you eat your way some through some delicious BQQ, sides and desert at the final stop along the route. Come enjoy a day of driving and some fabulous BBQ. Just \$15/per car (includes two desserts at the last stop) + pay your way at each stop.

Progressive BBQ

**Members' Appreciation Lunch
JD's on the Lake, Canton GA**

Saturday, July 25, 2026



Ernie Smallman, Event Planner

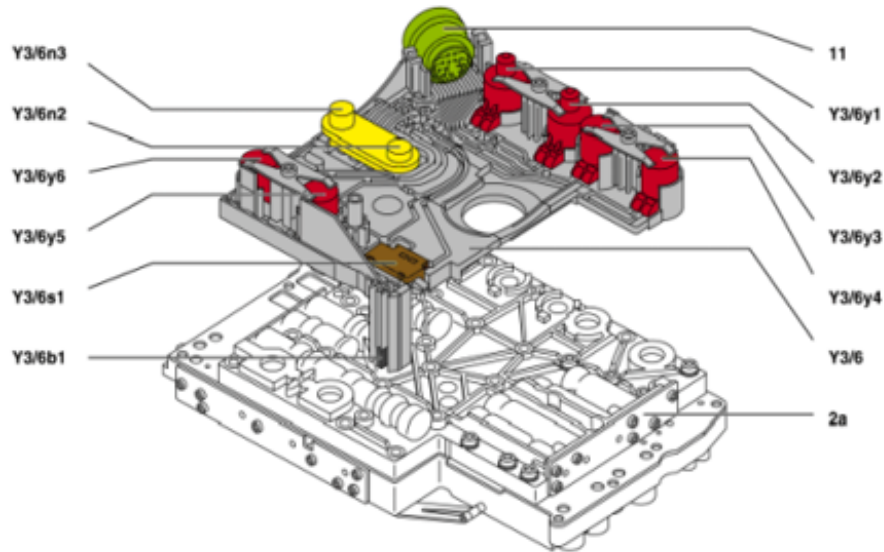
Join us for a special 2026 Member Appreciation Event on Saturday, July 25th at 11:30 am at the newly reopened J.D.'s on the Lake in Canton, GA - just minutes from Woodstock overlooking Lake Allatoona. This rustic lakeside favorite—reminiscent of classic Georgia fish camps and recognizable to fans of the Ozark series, will host members on its newly built covered lower deck, “The Bottom of the Lake,” reserved exclusively for the club.

Members will enjoy a complimentary lunch featuring a spring salad, choice of fried catfish, blackened grouper, or chicken fingers, sides, rolls, beverages, and banana pudding dessert. Attendance is limited to the first 50 registrants, so early registration is encouraged. This popular event is expected to fill quickly.

Members' Appreciation Lunch

**Virtual Tech Session
Mercedes 722.6 Transmission
Tuesday, August 18**

Transmission Conductor Plate

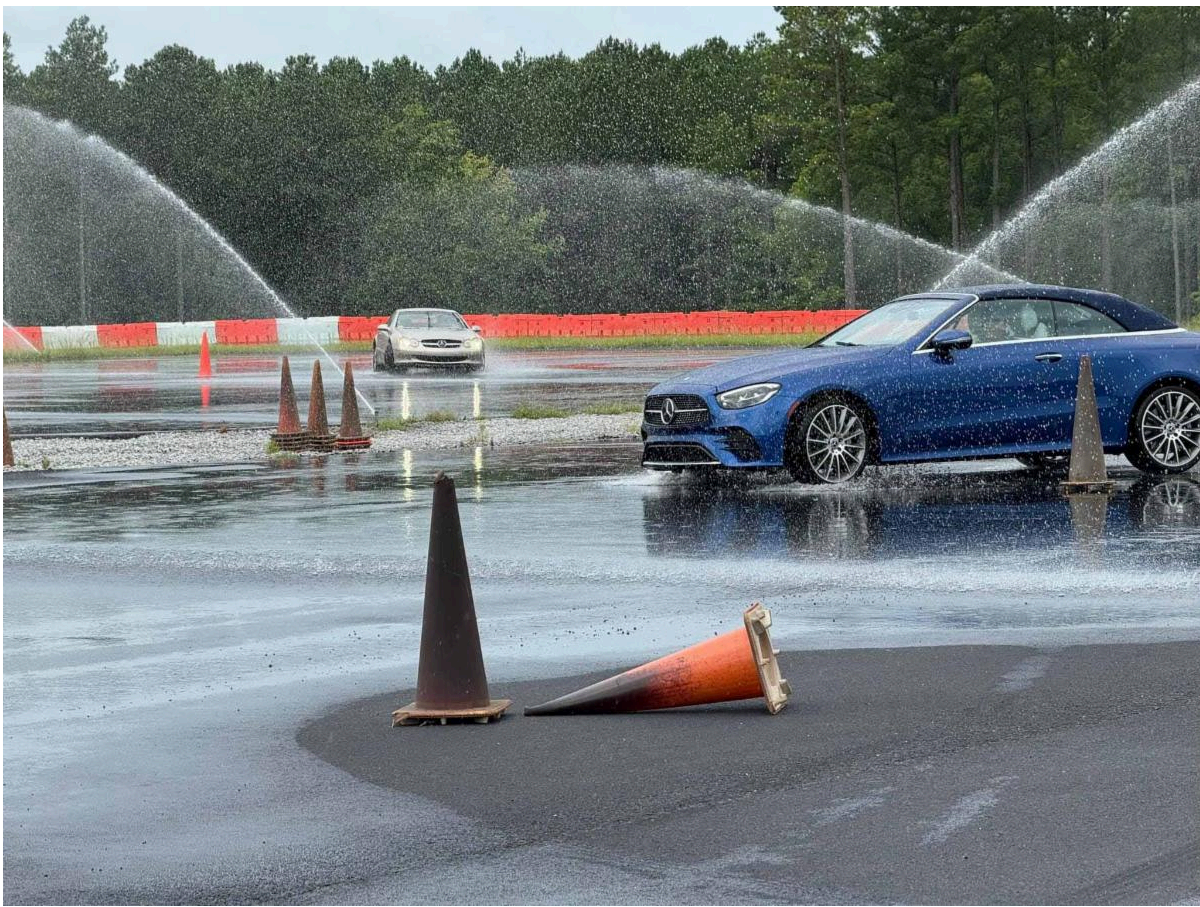


Join us via Zoom at 7 pm **Tuesday August 18th** for a Tech Session on the Mercedes 722.6 Transmission by Peachtree Chapter Technical Advisor Gary Edwards.

The 722.6 5 speed automatic transmission was used in many Mercedes from the mid-1990s well into the 21st century. Though robust and reliable, these transmissions have some unique issues that can cause confusion and even prompt unwarranted replacement. Gary will cover limp mode, setting and checking fluid level, connector sleeve replacement, transmission control module inspection, cleaning and replacement and conductor plate replacement. The tech session is **FREE**, please register below.

Mercedes 722.6 Tech Session

**Driving Academy
Sept 12**



Gary Edwards, Event Planner

Join us for another MBCA Driving Academy at the Columbia County Sheriff's Driver Training Facility. For just \$100, you'll gain hands-on experience in car control, including ABS braking, emergency lane changes, wet skidpad handling, a low-speed autocross, and precision parking.

Many insurance companies offer discounts for completing this course! We're also seeking instructors and volunteers—if you'd like to help, please contact edwardsgw@nu-z.net.

Driving Academy

SAVE THE DATE
Concours d'Elegance
Bertha Benz - 140th Anniversary
RBM of Alpharetta
October 4, 2026



Sam Kamber, Concours Chair

Which car(s) will you enter? The categories are not limited to, but will include GTs, Pre-1947, Show (25+ years), Street (AMGs Early, AMGs Late, Wagons), Custom, Show/Shine or maybe a new category - "Lemon" (for the worst of the worst condition).

More details of the **140th Anniversary** celebration will be revealed as we approach the date.

**MARK YOUR CALENDAR!
HOLIDAY LUNCHEON
December 5, 2026**

Holiday Cheer!

Join us for a

HOLIDAY LUNCHEON

DEC
5

Saturday
11:30 am

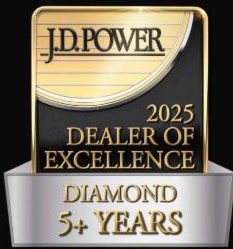
Table and Main Restaurant
1028 Canton Street
Roswell, GA 30075



Ernie Smallman, Event Planner

Join the Peachtree Chapter for our 2026 Holiday Luncheon at the award-winning Table & Main in historic Roswell. Known for its warm Southern hospitality and seasonal, locally sourced cuisine, this charming restaurant—housed in a beautifully restored 100-year-old home—offers the perfect setting to celebrate the season with fellow members and guests.

Guests will enjoy a plated lunch with entrée selections, salad, and dessert, along with a cash bar. Final menu details and registration information will be shared this fall.



8x Honoree

RBM of Atlanta is a 2025 J.D. Power “Dealer of Excellence”



Take 10% off your next repair or parts and accessories purchase at RBM of Atlanta - Sandy Springs

Excludes specials, tires, and certain menu items. Offer good thru 12/31/2026 on one service visit per member. Discount available to Club Members only & you must show Club ID at time of use.



7200 Roswell Road + 7640 Roswell Road | 770-390-0700 | www.RBMofAtlanta.com



Peachtree

Event News

Drive to Paradise Hills Winery Saturday, May 16, 2026



Rusty Duncan, Event Planner

On Saturday, May 16, 2026, 33 MBCA members and guests kicked off a perfect spring morning at DC Motorwerks, enjoying a light breakfast and great conversation before setting out on a scenic drive toward the North Georgia mountains.

The destination? **Paradise Hills Winery, Blairsville.** Watch for more events like this in the future to drive and dine in the North Georgia mountains.



Mercedes-Benz News

Mercedes-Benz USA Leads Community Revitalization and Honors Philanthropic Dealerships Through “Driving Your Future” Initiative



April 23, 2026 - Atlanta

- **Hundreds of MBUSA employee volunteers participated in service events during National Volunteer Week, including the revitalization of the outdoor space at Atlanta's Southwest DeKalb High School.**
- **MBUSA recognized its dealer partners nationwide with the 2025 Philanthropic Leadership Award, honoring their commitment to community impact.**
- **All National Volunteer Week efforts support MBUSA's corporate social responsibility mission, "Driving Your Future", which advances education and safety programming to empower the next generation.**

In celebration of National Volunteer Week (April 19 - 25, 2026) and Earth Day, Mercedes-Benz USA (MBUSA) partnered with Atlanta United's former goalkeeper, Brad Guzan to transform a teacher courtyard and student garden at Atlanta's Southwest DeKalb High School. The company also recognized 10 Mercedes-Benz dealerships across the U.S. with its inaugural Philanthropic Leadership Award, celebrating the meaningful impact dealerships are making in their local communities.

Both efforts underscore MBUSA's national corporate social responsibility mission, "Driving Your Future," which supports programming and resources necessary to foster development and empower young people for future successes.

[Read More](#)

Peachtree Chapter Officers

Peachtree Section, MBCA Officers and Board of Directors and Leadership Support Members

Rusty Duncan

president@mbcapeachtree.com

Marisa Hegyesi

vicepresident@mbcapeachtree.com

Brett Butler

secretary@mbcapeachtree.com

Diana Quinn

treasurer@mbcapeachtree.com

Directors

directors@mbcapeachtree.com

Reijo Haarla

Sam Kamber

Dietmar Schmid

Past presidents

Steve Chapman

Gary Edwards

Ernie Smallman

Directors at Large

Michael Leigh

Allan Smith

Committees

Reijo Haarla - Membership

membership@mbcapeachtree.com

Diana Quinn - Newsletter

newsletter@mbcapeachtree.com

Rusty Duncan - Sponsors

sponsor@mbcapeachtree.com

Gary Edwards - Technical

technical@mbcapeachtree.com

Diana Quinn - Webmaster

webmaster@mbcapeachtree.com

For information or questions about the
Peachtree Section, please contact us at
770-376-0669.

MBCA Name Tags



JOHN SMITH

LINE 1 ADDITIONAL
LINE 2 CHAPTER NAME

Order Name Tag

S P O R T S
&
I M P O R T S
COLLISION INC.

Guaranteed Satisfaction with Original Factory Parts and
Factory-Trained Technicians
Factory Recommended Celette Repair Benches

3400 McDaniel Rd
Duluth, GA 30096
770-623-6300

WE PROUDLY SUPPORT MERCEDES-BENZ
ORGANIZATIONS AND THEIR MEMBERS



Mercedes-Benz Club of America Peachtree Chapter | www.mbcapeachtree.org



Try email marketing for free today!